

## 7000 Series

6 digit LCD electronic totalizing counters and hour meter



With Bezel



Without Bezel

The 7000 series is a range of miniature, 6-digit LCD, PCB-mount totalizing counters and hour meters. They are designed for minimal power requirement and are suitable for either direct PCB mounting, or panel mounting with the bezel supplied.

The 7000/7000AS can be configured to count electro-mechanical contact closure events using an external resistor and capacitor to eliminate contact bounce. Similarly the supply voltage can be increased using an external resistor and 3V zener diode.

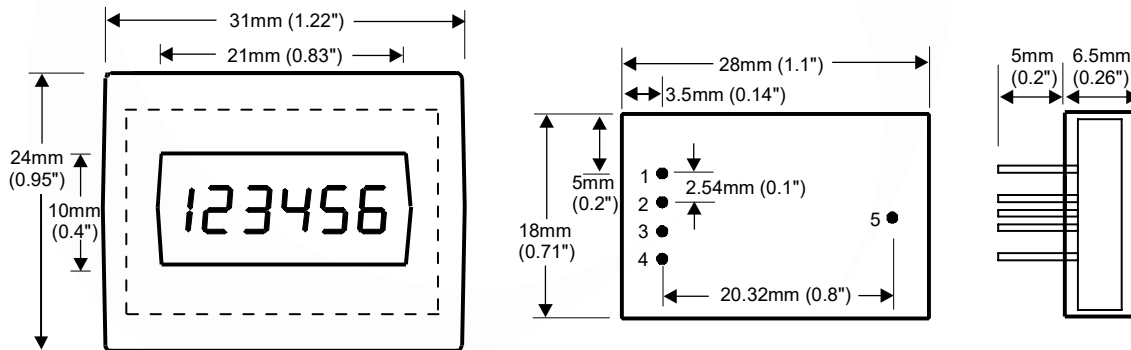
### Key Features

- Uses the latest CMOS circuitry to achieve quiescent current consumption of less than 5 $\mu$ A
- 6mm black character high contrast LCD display
- Counts pulses up to 10kHz frequency
- External reset input
- CE, UL and cUL approved
- Bi-directional counting (7000AS model)
- Hour Meter (7000XX model)

## Specification

<b>Supply Voltage</b>	2.6 – 3.4VDC
<b>Current Consumption</b>	5uA quiescent, 10µA at 10kHz
<b>Display</b>	6 digit black LCD, 6mm characters with leading zero blanking
<b>Count Range</b>	999999 display rollover to 0
<b>Count Input</b>	10kHz maximum, negative edge triggered, 0.7V threshold, 50µS minimum pulse length, TTL/CMOS Compatible
<b>Reset Input</b>	Negative edge triggered, 0.7V threshold, 15mS minimum pulse length, TTL/CMOS Compatible
<b>Direction Input</b>	Add=logic 1, Subtract=logic 0 (0V)
<b>Operating Temp</b>	-10°C to +60°C
<b>Storage Temp</b>	-10°C to +60°C
<b>Material</b>	Clear polycarbonate
<b>Environmental Protection</b>	IP40/DIN40050
<b>Weight</b>	7.5g

## Dimensions



## Part Numbers

<b>7000</b>	6 Digit LCD Totalizing Counter
<b>7000AS</b>	6 Digit LCD Totalizing Counter, Bi-directional, Add/Subtract version of above

