

Totalizers mechanic

Stroke, meter and revolution counters

Display 5 digits, manual reset (zero) by lever

H 410, M 410, U 410, M 411, U 411



H 410 - Stroke counter



M 410 - Meter counter



U 410 - Revolution counter

Features

- Stroke, meter and revolution counters
- Adding
- Display 5-digits
- Reset by lever

Technical data - mechanical design

Number of digits	5-digits
Digit height	7 mm
Zero setting	Manual by reset lever. Do not let snap or make jerky movements.
Ambient temperature	0...+60 °C
Housing type	Surface mount housing with mounting plate
Housing colour	Grey
Dimensions W x H x L	106 x 64 x 45 mm
Dimensions mounting plate	120 x 64 mm
Mounting	Base plate, 4 long mounting holes
Weight approx.	380 g
Materials	Housing: Hostaform POM, grey Base plate: steel zinc-coated

H 410

Function	Stroke counter
Display	White numbers on black
Count mode	Adding in a stroke direction to be indicated. 1 stroke = 1 count
Drive shaft	Both sides, $\varnothing 7$ mm
Stroke	$>38^\circ$ to $<60^\circ$
Stroke lever	To be positioned on shaft at will. Stroke lever relocates automatically to start position.
Stroke frequency	≤ 500 strokes/min

Totalizers mechanic

Stroke, meter and revolution counters

Display 5 digits, manual reset (zero) by lever

H 410, M 410, U 410, M 411, U 411

Technical data - mechanical design

Measuring range 99 999

M 410

Function Meter counter

Display White numbers on black
Decimal digits in red

Count mode Adding in a rotational direction to be indicated, subtracting in reverse direction.
See part number key

Drive shaft Both sides, $\varnothing 7$ mm

Measuring speed <200 m/min (measuring wheel)

Measuring accuracy 1 dm, 1 cm

Measuring range 9999.9 m

M 411

Function Meter counter

Display White numbers on black
Decimal digits in red

Count mode Adding in a rotational direction to be indicated, subtracting in reverse direction.
See part number key

Drive shaft Centered below, $\varnothing 7$ mm

Measuring speed <60 m/min

Measuring accuracy 1 dm

Measuring range 9999.9 m

U 410

Function Revolution counter

Display White numbers on black

Count mode Adding in a rotational direction to be indicated, subtracting in reverse direction. 1 rev. = 1 count

Drive shaft Both sides, $\varnothing 7$ mm

Operating speed ≤ 3000 rpm

Measuring range 99 999

U 411

Function Revolution counter

Display White numbers on black

Count mode Adding in a rotational direction to be indicated, subtracting in reverse direction. 1 rev. = 1 count

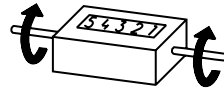
Drive shaft Centered below, $\varnothing 7$ mm

Operating speed ≤ 1000 rpm

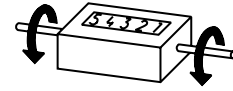
Measuring range 99 999

Direction of strokes and rotation

H 410, M 410, U 410

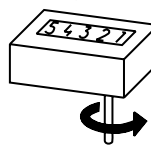


Away from user
Sense of rotation or stroke direction I

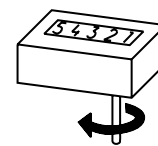


Towards user
Sense of rotation or stroke direction II

M 411, U 411



Sense of rotation I



Sense of rotation II

Accessories

Measuring wheels for M 410, M 411

MR211.04A Circumf. 20 cm, knurled aluminium

MR241.04D Circumf. 20 cm, smooth Hytrel TPE-E

MR261.04A Circumf. 20 cm, knopped rubber NBR Nitril

MR291.04D Circumf. 20 cm, grooved Hytrel TPE-E

MR592.07D Circumf. 50 cm, grooved Hytrel TPE-E

MR512.07A Circumf. 50 cm, knurled aluminium

MR542.07D Circumf. 50 cm, smooth Hytrel TPE-E

MR552.07A Circumf. 50 cm, smooth Vulkollan PUR

MR562.07A Circumf. 50 cm, knopped rubber NBR Nitril

Totalizers mechanic

Stroke, meter and revolution counters

Display 5 digits, manual reset (zero) by lever

H 410, M 410, U 410, M 411, U 411

Part number

Stroke counter

H 410.

Display / direction of stroke

- A 5 digits 99 999 / I
- B 5 digits 99 999 / II

Count mode / drive

- 02 1 stroke = 1 digit / drive shaft on both sides

Housing

- A Surface mount housing, grey

Zero setting

010 With reset lever

Meter counter

M 411.

Display / direction of rotation

- C 5 digits 9999.9 / I
- D 5 digits 9999.9 / II

Count mode / drive

- 03 2 revolutions = 10 digits = 1.0 m / drive shaft at bottom

Housing

- A Surface mount housing, grey

Zero setting

010 With reset lever

Revolution counter

U 411.

Display / direction of rotation

- A 5 digits 99 999 / I
- B 5 digits 99 999 / II

Count mode / drive

- 01 1 revolution = 1 digit / drive shaft at bottom

Housing

- A Surface mount housing, grey

Zero setting

010 With reset lever

Meter counter

M 410.

Display / direction of rotation

- C 5 digits 9999.9 / I
- D 5 digits 9999.9 / II
- E 5 digits 999,99 / I
- F 5 digits 999,99 / II
- G 5 digits 9999.95 / I
- H 5 digits 9999.95 / II

Count mode / drive

- 02 1 revolution = 10 digits = 1.0 m / drive shaft on both sides*
- 03 2 revolutions = 10 digits = 1.0 m / drive shaft on both sides (for mea. wheel circumf. 50 cm)
- 04 5 revolutions = 10 digits = 1.0 m / drive shaft on both sides* (for mea. wheel circumf. 20 cm)
- 06 5 revolutions = 100 digits = 1.0 m / drive shaft on both sides* (for mea. wheel circumf. 20 cm)
- 07 2 revolutions = 100 digits = 1.0 m / drive shaft on both sides* (for mea. wheel circumf. 50 cm)

Housing

- A Surface mount housing, grey
- B Surface mount housing with hinge plate

Zero setting

010 With reset lever

Revolution counter

U 410.

Display / direction of rotation

- A 5 digits 99 999 / I
- B 5 digits 99 999 / II

Count mode / drive

- 01 1 revolution = 1 digit / drive shaft on both sides
- 02 1 revolution = 10 digits / drive shaft on both sides

Housing

- A Surface mount housing, grey

Zero setting

010 With reset lever

* Additional charge for special transmission

Totalizers mechanic

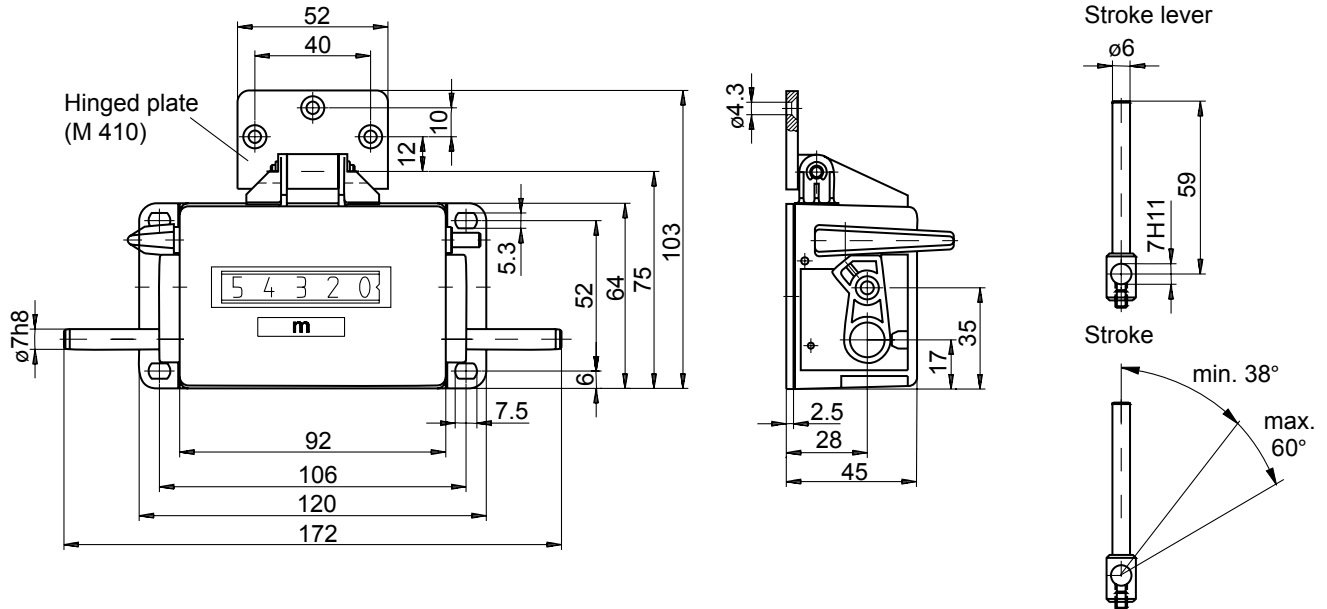
Stroke, meter and revolution counters

Display 5 digits, manual reset (zero) by lever

H 410, M 410, U 410, M 411, U 411

Dimensions

H 410, M 410, U 410



M 411, U 411

